

Model S100

General Purpose Scale CE



- **Accuracy**– 0.01% of full scale
- **Capacity**– 75 kg / 150 lb, 150 kg / 300 lb and 300 kg / 600 lb
- **Construction**– Stainless steel weight platter, painted mild steel base, ABS indicator
- **Display**– Large, easy to read, bright red LED display
- **Power**– AC/Mains power and built-in rechargeable lead-acid battery
- **Operator Keys**– Power/Zero, Tare, Units, Hold/Print
- **Platform Length**– 457 mm x 559 mm
18" x 22"
- **RS-232**– Standard

VALUE IN
WEIGHING

S100 General Purpose Scale

Features

The S100 is a low cost general purpose, self-contained industrial scale with RS-232 interface for simple non-trade weighing applications.

Column or Desk Mount Indicator: Attach the indicator to the stainless steel column to provide a total height of 927 mm / 36.5" or remote the indicator up to 1220 mm / 48" without the use of column

RS-232 Interface: SBI 100 indicator can be configured for weight only or GTN via continuous output, print key, or stable weight. Choose bi-directional interface for communication to a PC

ON/OFF Switch: Remove power from indicator to increase battery performance and life of product

Auto Shut-off Timer: Adjustable from 1-15 minutes or Off

Weight Hold Functions: Can be configurable for manual button release, automatic release on change in weight, or within +/- 3-50 scale divisions

Internal Rechargeable Battery: Low battery and battery charging annunciators indicate status of lead-acid battery. Battery is charged while AC power is active.

Units Switching: Can be configured for LB/KG switching, LB only, or KG only

Adjustable Resolution Setting: Factory default setting of 6,000 or 7,500 divisions can be modified to increase performance within certain applications

Adjustable Scale Setting: Power on zero, AZT, 4 filter settings, weight stability, overload, baud rate and status bits

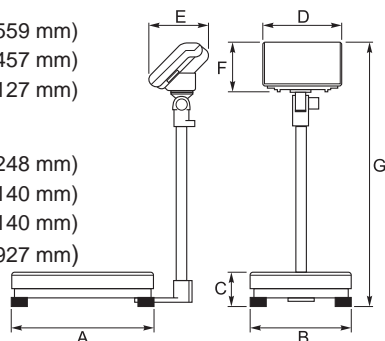
Robust Design: Re-enforced painted mild steel base, stainless steel weight platter and pole, robust ABS plastic indicator with strain relief connections, and heavy duty adjustable foot assemblies

Dimensions

A = 22" (559 mm)
B = 18" (457 mm)
C = 5" (127 mm)

Indicator

D = 9.75" (248 mm)
E = 5.5" (140 mm)
F = 5.75" (140 mm)
G = 36.5" (927 mm)



a division of Avery Weigh-Tronix, LLC

Brecknell

1000 Armstrong Dr., Fairmont, MN 56031
Toll free: 800-637-0529, Tel: 507-238-8702
Fax: 507-238-8271
e-mail: sales@brecknell scales.com
www.brecknell scales.com



Brecknell

Foundry Lane, Smethwick
West Midlands B66 2LP UK
Tel: +44 (0) 845 246 6717
Fax: +44 (0) 845 246 6718
Email: sales@brecknell scales.co.uk
www.brecknell scales.co.uk



Specifications

Capacity: 75 kg x 0.01 kg / 150 lb x 0.02 lb
150 kg x 0.02 kg / 300 lb x 0.05 lb
300 kg x 0.05 kg / 600 lb x 0.1 lb

The Model S100 is non-trade approved

Construction: Mild steel base, stainless steel top cover and display pole, ABS plastic indicator

Tare: 100% subtractive

Display: Six digit 20 mm / 0.8" high red LED display with 8 separate LED annunciators

Annunciators: Net, zero, kg, lb, hold, low battery, battery charging, mains connected

RS-232: Standard 9 pin straight pass through interface connector, interface cable not included

Function Keys: Power Switch, On/Off/Zero, Tare, Units, Hold/Print

Auto-off: Selectable between 1 to 15 minutes after inactivity

Power:

North America: 120V AC @ 60Hz, 12 VDC, 500mA UL Approved wall mount power adapters

UK/EU: Version Power Supply 230V @ 50 Hz 12 VDC, 500mA, CE approved 3 pin UK and 2 pin EU 230V wall mount power adapters

AUS/SA: Version Power Supply 100-240V @ 50/60Hz, 12 VDC, 500mA, C-tick approved 3 pin Australian and a 3 pin South African wall mount power adapters

Battery Life: Up-to 35 hours of continuous use

Operating Temperature: 5° C to 35° C / 41° F to 95° F

Weight: 20 kg / 44 lb

Packaging Dimension:

965 mm (L) x 610 mm (W) x 203 mm (H)
35" L x 24" W x 8" H

Shipping Weight: 24 kg / 53 lb

Packaging Contents: SBI 100 indicator, S100 base with load cell interface cable, power supply(s), SS mounting pole, indicator mounting hardware.

Certification: Full FCC compliance, UL/CUL power adapter, CE, WEEE directive