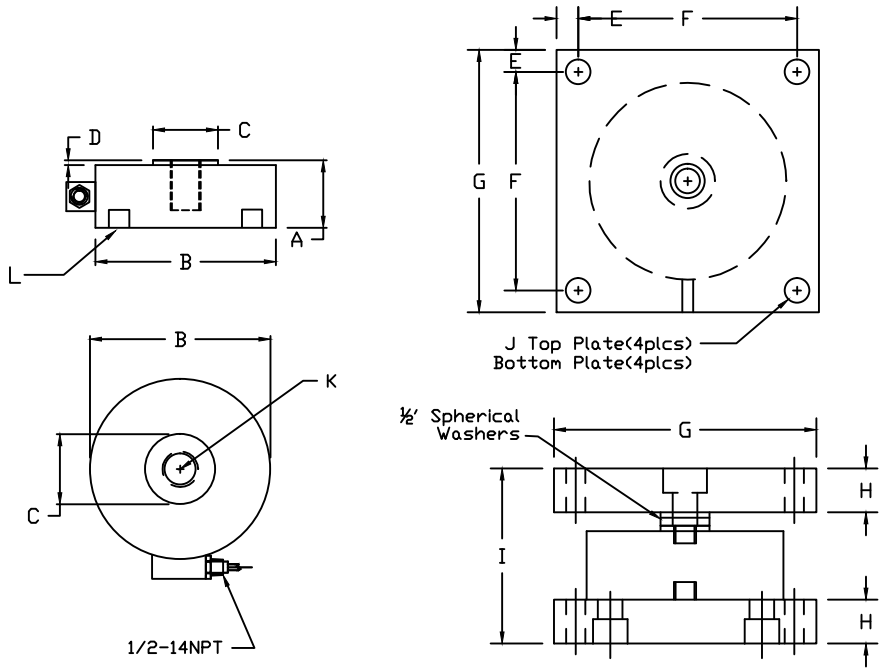


REVISIONS							
ZONE	LTR.	DESCRIPTION	DATE	ECN	BY	CKD	APVD
-	-	INITIAL RELEASE	10/01/08	-	-	-	-

- PERFORMANCE SPECIFICATIONS:**
1. CAPACITIES: 10K, 15K, 20K, 25K, 30K, & 50K LB
  2. SAFE OVERLOAD: 150% FS
  3. FULL SCALE OUTPUT: 2.00 mV/V
  4. EXCITATION VOLTAGE: 10-15V AC/DC
  5. LOAD CELL RESISTANCE: 1000 OHMS
  6. LOAD CELL CABLE: 4 CONDUCTOR, 50 FT
  7. OPERATING TEMPERATURE RANGE: -20°C - +60°C
  8. MATERIAL:
    - LOAD CELL: STAINLESS STEEL
    - ASSEMBLY: STAINLESS STEEL



RATED CAPACITY	DIMENSIONS										
	A	B	C	D	E	F	G	H	I	J	K
<b>MOUNT &amp; LOAD CELL</b>											
10K-25K	-	-	-	-	0.50	5.00	6.00	1.00	4.00	0.56	-
30K-50K	-	-	-	-	0.75	6.50	8.00	1.25	5.00	0.69	-
<b>LOAD CELL ONLY</b>											
10K-25K	2.18	4.50	1.62	0.50	3/8-24UNF x 1.00 deep			-	3/4-16UNF x 1.00 deep		
30K-50K	2.51	4.50	1.62	0.50	3/8-24UNF x 1.00 deep			-	3/4-16UNF x 1.00 deep		

THIS DRAWING USES THIRD ANGLE PROJECTION

THIS DOCUMENT CONTAINS PROPRIETARY INFORMATION AND SUCH INFORMATION MAY NOT BE REPRODUCED OR DISCLOSED FOR ANY PURPOSE OR USED TO PRODUCE THE ARTICLE OR SUBJECT WITHOUT WRITTEN PERMISSION FROM COTI GLOBAL SENSORS, INC.

TOLERANCES UNLESS OTHERWISE SPECIFIED BY Y&B 0.0000 INCH FRA 0.0000 INCH FRA

APPROVALS	DATE
DRAWN: MTSI	10/01/08
CHECKED: MB	10/01/08
ENGINEER: AA	10/01/08
APPROVED: AA	10/01/08

MATERIAL: SEE NOTES

**'DO NOT ALTER WITHOUT AGENCY NOTIFICATION'**

COTI GLOBAL SENSORS, INC.

CG-412M TANK MOUNT

SCALE	SIZE	PART/DRAWING NO.	REV.
NONE	B	DOD-CG-412M	A

MODEL CG-412M SHEET 1 OF 1